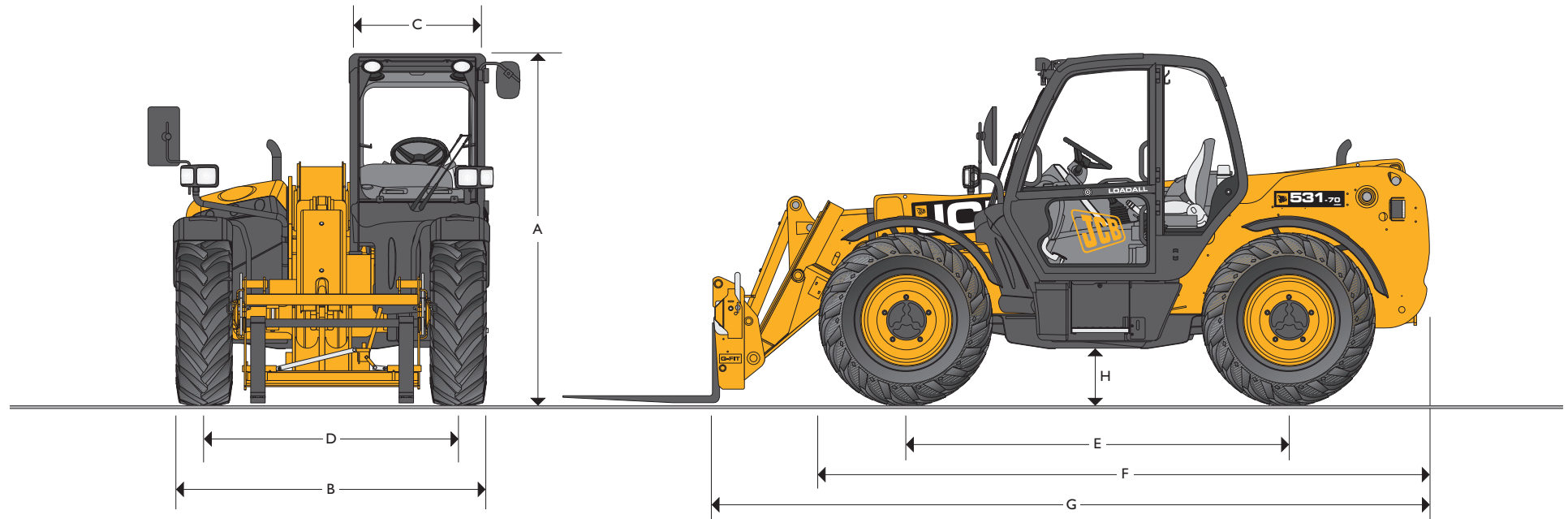


MAX. PAYLOAD: 3100kg (6834lb) MAX. LIFT HEIGHT: 7.0m (23ft)



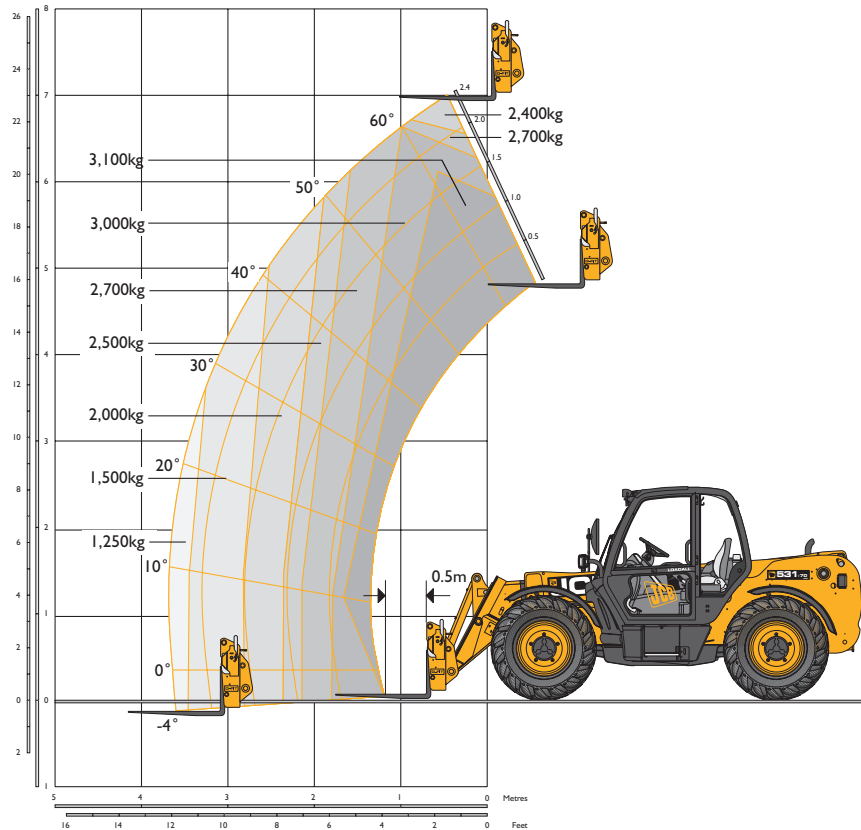
### STATIC DIMENSIONS

Machine model	531-70 m (ft-in)
A Overall height	2.49 (8-2)
B Overall width (over tyres)*	2.29 (7-6)
C Inside width of cab	0.94 (3-1)
D Front track	1.81 (5-11)
E Wheelbase	2.75 (9-0)
F Overall length to front tyres	4.38 (14-4)
G Overall length to front carriage	4.99 (16-4)

Machine model	531-70 m (ft-in)
H Ground clearance	0.40 (1-4)
Outside turn radius (over tyres)	3.7 (12-2)
Carriage rollback angle	degrees 42.6
Carriage dump angle	degrees 37.5
Weight	kg (lb) 6900 (15215)
Tyres	445/70 R24

\*Dependant upon tyre specified.

LIFT PERFORMANCE – 531-70



LIFT PERFORMANCE – 531-70

Machine Model		531-70
Maximum lift capacity	kg (lb)	3100 (6834)
Lift capacity to full height	kg (lb)	2400 (5291)
Lift capacity at full reach	kg (lb)	1250 (2756)
Lift height	m (ft-in)	7.0 (23-0)
Reach at maximum lift height	m (ft-in)	0.48 (1-7)
Maximum forward reach	m (ft-in)	3.7 (12-2)
Reach with 1 tonne load	m (ft-in)	3.7 (12-2)
Placing height	m (ft-in)	6.3 (20-8)

ENGINE

Latest technology and advanced design provides low fuel consumption, reduced noise, high torque and power output, total reliability and minimal maintenance. Two-stage, dry type air filter with primary and safety elements. Territory dependent.

	Stage II	Stage III
Model	Agri	Agri
Manufacturer	JCB	JCB
Displacement	ltr (in <sup>3</sup> )	4.4 (269)
No. of cylinders	4	4
Bore size	mm (in)	103 (4.05)
Stroke	mm (in)	132 (5)
Aspiration	Turbo	Turbocharged cooled
<b>Power rating</b>		
Power @ 2200rpm	kW (HP)	74.2 (100)
<b>Torque rating</b>		
Torque @ 1300rpm	Nm (lbf ft)	425 (313)
Torque @ 1500rpm	Nm (lbf ft)	-

TRANSMISSION

**Agri:** JCB powershift transmission incorporating torque converter, bevel box and a 4 speed powershift gearbox in one resiliently mounted unit. A combined steering column mounted switch incorporating directional control and 4 forward and 4 reverse powershift gears. Travel speed 29kph (18mph). Permanent 4 wheel drive.

**Front and rear drive axles:** JCB epicyclic hub reduction drive/steer axles with Max-Trac torque proportioning differentials.

BRAKES

**Service brakes:** Hydraulically activated, self-adjusting, oil-immersed in-board multi-disc type on front axle.

**Parking brake:** Hand operated disc brake on output of gearbox (97kW/130hp – oil immersed disc type).



### BOOM AND CARRIAGE

Boom is manufactured from high tensile steel.  
 Low maintenance, hard wearing pads.  
 JCB Q-fit self-levelling carriage with lever operated pin locking accepts pallet forks and a wide range of attachments.  
 One boom end auxiliary hydraulic service fitted as standard.

### SAFETY CHECK VALVES

Fitted to carriage tilt, telescopic and boom lift rams.

### SERVICE CAPACITIES

Fuel tank	litres (UK gal)	146 (32.1)
Hydraulic tank	litres (UK gal)	113 (24.8)
Coolant	litres (UK gal)	23 (5.1)

### HYDRAULICS

		Agri
Operating system pressure	bar (PSI)	241 (3500)
Total hydraulic flow	ltrs/min	160
Pump		Gear
<b>Hydraulic cycle times</b>		<b>seconds</b>
Lift		7.2
Lower		5.4
Extend		6.8
Retract		5
Bucket dump		3.5
Bucket crowd		2.9

### ELECTRICS

12 v negative earth. 95 AH battery. 95 amp alternator. Full road lighting. Reversing light. Direction indicators. Hazard warning. Reverse alarm.

### DELUXE CAB

Quiet, safe and comfortable cab conforms to ROPS ISO 3471 and FOPS ISO 3449. Tinted glass all round with laminated front and roof screen. Roof bars, front, rear and roof screen wash/wipe and heater/screen demister. Opening rear window. Audio-visual warning system for coolant temperature, water in fuel, engine oil pressure, air cleaner, battery charge, transmission oil temperature and pressure. Hourmeter and road speed indicator. Engine temperature, fuel gauge and clock.  
 Adjustable steer column with stalk bar powershift change and forward reverse shuttle. Throttle and brake pedal floor mounted. Adjustable deluxe suspension seat with adjacent park brake.  
 Automatic eye level audio-visual load moment indicator warning system receiving a signal from a load sensor on the rear axle. This system continuously monitors the machine's forward stability and leaves the operator in control at all times.

**Hydraulic controls:**

**Agri:** Cab mounted single lever joystick, with push button extend/retract and auxiliary service.

### STEERING

Hydrostatic power steering with power track rods on both axles.  
 Three steer mode options: front wheel steer; all wheel steer; crab steer: operated from in the cab by a selection switch, with automatic alignment.

### OPTIONS AND ACCESSORIES

**Options:** Front and rear working lights, rotating flashing beacon, electrical 2/4WD select, limited slip differential in front axle, windscreen and roof guard, roof and front screen blind, air conditioning, reversing fan, towing facility with trailer lighting package, carriage options available – contact your local dealer.

**Attachments:** Contact your local dealer for details of the comprehensive range.

\*Adaptive Load Control for EU territories conforms to EN15000.

## A GLOBAL COMMITMENT TO QUALITY

JCB's total commitment to its products and customers has helped it grow from a one-man business into Britain's largest privately owned manufacturer of backhoe loaders, crawler excavators, wheeled excavators, telescopic handlers, wheeled loaders, dump trucks, rough terrain fork lifts, industrial fork lifts, mini/midi excavators, skid steer loaders, tractors and compaction equipment.

By making constant and massive investments in the latest production technology, the JCB factories have become some of the most advanced in the world.

By leading the field in innovative research and design, extensive testing and stringent quality control, JCB machines have become renowned all over the world for performance, value and reliability.

And with a global sales and service network of more than 650 dealers and agents, we aim to deliver the best customer support in the industry.

Through setting the standards by which others are judged, JCB has become one of the world's most impressive success stories.

